



CUSTOM CURVED STAIR RAILING

Design "B" Order Form

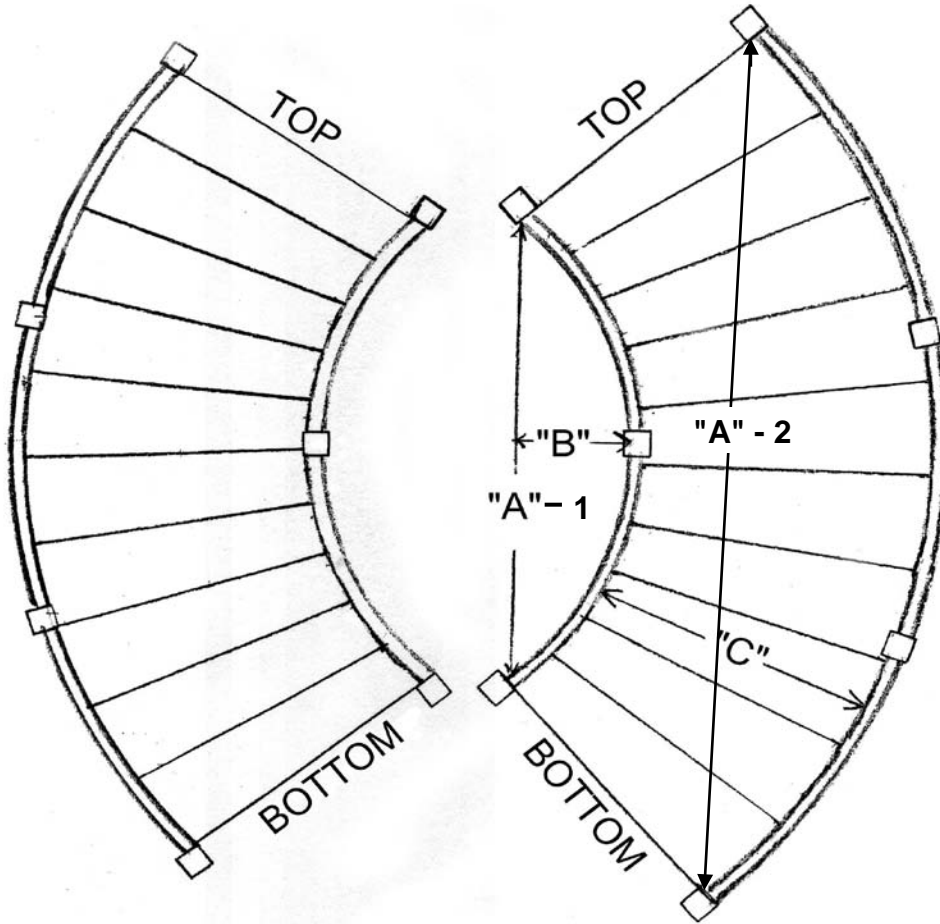
Date _____

Company _____

Contact Name _____

Phone _____

Job Name _____



**RIGHT HAND
CURVED RAIL**

**LEFT HAND
CURVED RAIL**

**INFORMATION
NEEDED**

Rail Run Level Line
Inside of Rail

"A" - 1 FT. IN.
"A" - 2 FT. IN.

Rail Rise
Inside of Rail

"B" FT. IN.

Distance between Rails

"C" FT. IN.

Total drop elevation
from top of steps to
bottom

"D" FT. IN.

Hand of Rail

Left

Right

Bugh, Inc. calculates the radius based on the measurements provided by the customer. By signing below you agree that Bugh, Inc. is responsible for the Radius measurement only.

FT. IN.
RADIUS

Customer Signature _____

Date _____

Revised 11/6/2008